

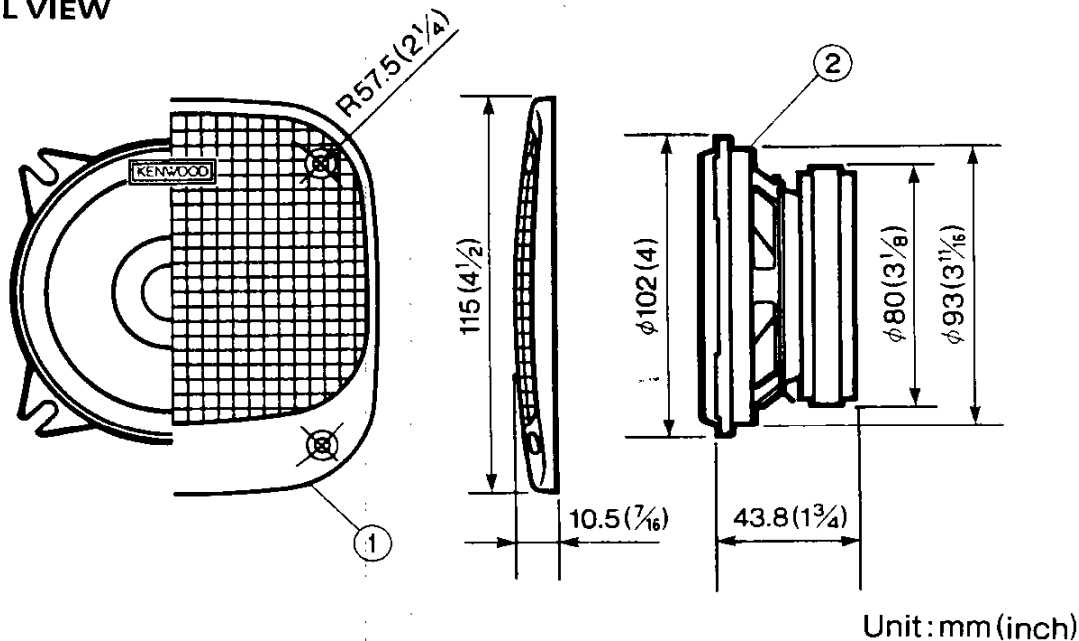
KFC-1061

SERVICE MANUAL

KENWOOD

© 1987-5 PRINTED IN JAPAN
B51-3256-00 (G) 1137

EXTERNAL VIEW



SPECIFICATIONS

Speaker type _____ 170g (6 oz) Magnet
10cm (4") Water-resistant cone
Peak power _____ 45 watts
Sensitivity _____ 90 dB/w at 1m
Impedance _____ 4 ohms
Insulated cable _____ 3m (9.8 ft) 2 pcs
Weight per speaker with grille _____ 580g (1 lb 4 oz)

PARTS LIST

* New Parts

Parts without Parts No. are not supplied.

Les articles non mentionnés dans le Parts No. ne sont pas fournis.

Teile ohne Parts No. werden nicht geliefert.

Ref.No.	New Parts	Parts No.	Description
①	*	B06-0269-08	FRONT GRILLE
		E30-1182-08	SPEAKER CORD SET
		N99-1045-08	SCREW SET
②	*	T07-0133-08	SPEAKER